

uFR Nano (TTL) pinout

Version 2.1

Table of contents

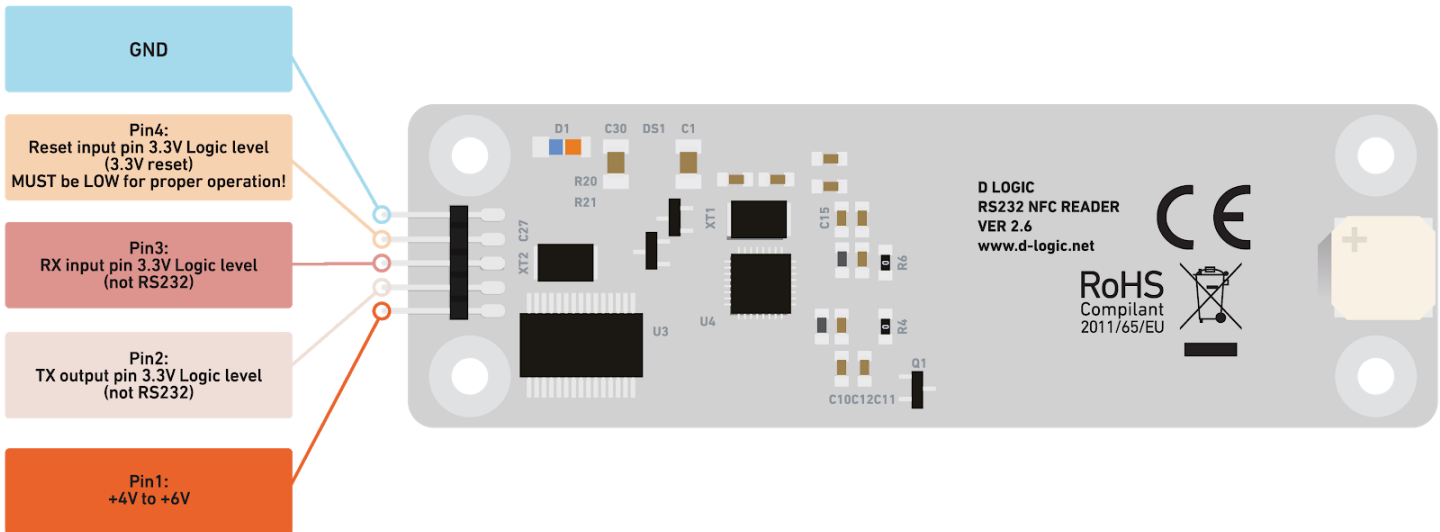
Connection diagrams	3
1.1. Direct connection	3
1.2. Connection via RS232 to TTL converter	3
1.3. Connection via FTDI TTL-232R-3V3 cable	4
Revision history	6

1. Connection diagrams

1.1. Direct connection

Logic level voltage is 3.3V.

Connection diagram is shown on the picture.



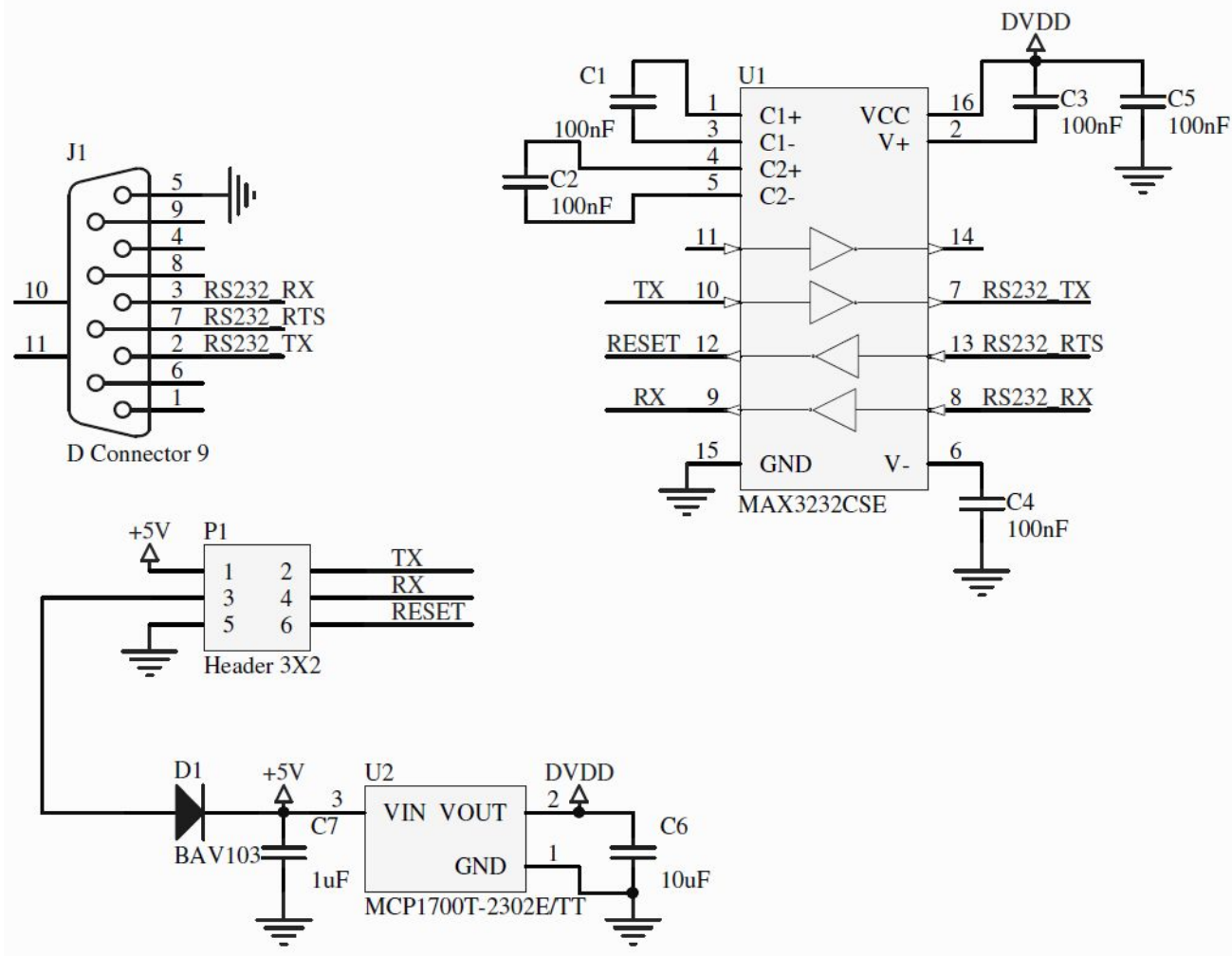
1.2. Connection via RS232 to TTL converter

RX input pin on device is connected to pin 3 on DB9 RS232 connector via converter.

TX output pin on device is connected to pin 2 on DB9 RS232 connector via converter.

Reset input pin on device is connected to pin 7 (RTS) on DB9 RS232 connector via converter.

Schematic diagram of the converter is shown on the picture.



1.3. Connection via FTDI TTL-232R-3V3 cable

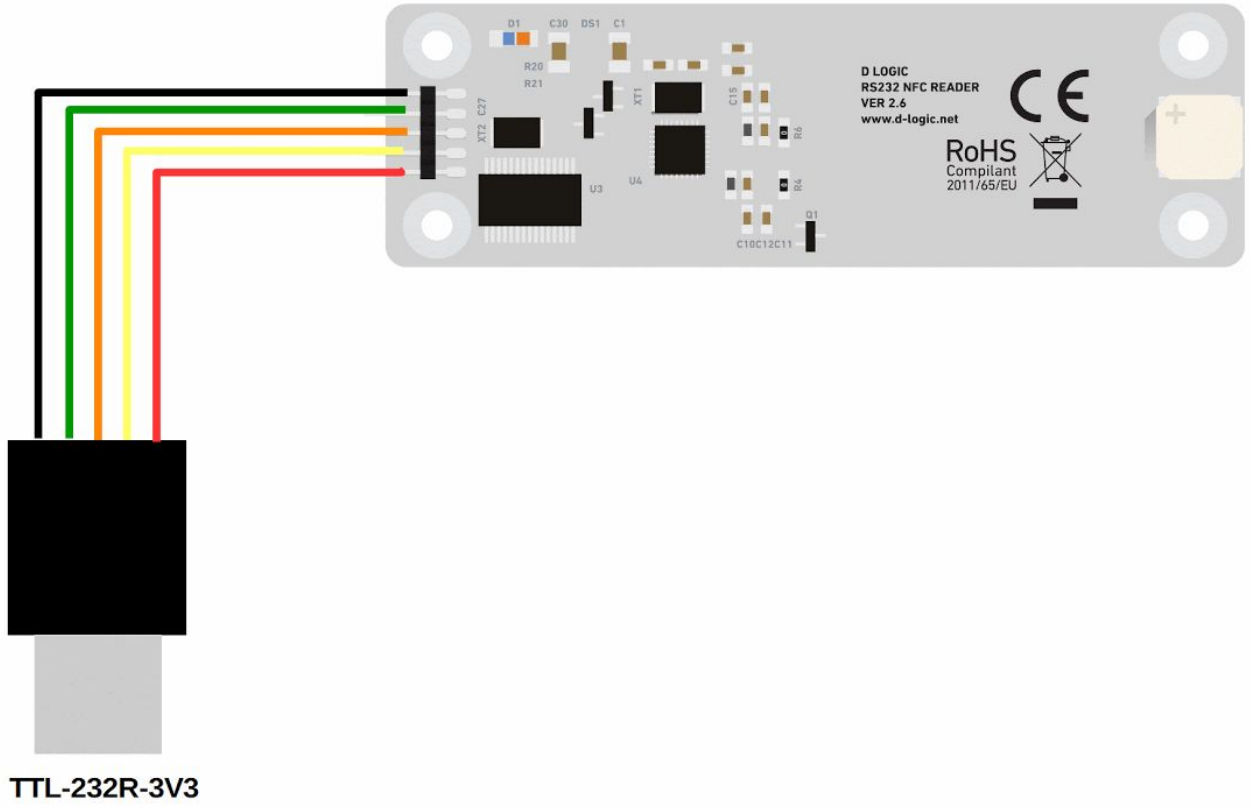
Use this cable with factory settings.

Connection diagram is shown on the picture.



Digital Logic

NFC RFID





Digital Logic



Revision history

Date	Version	Comment
2019-09-02	2.1	RS232 to TTL converter connection diagrams