

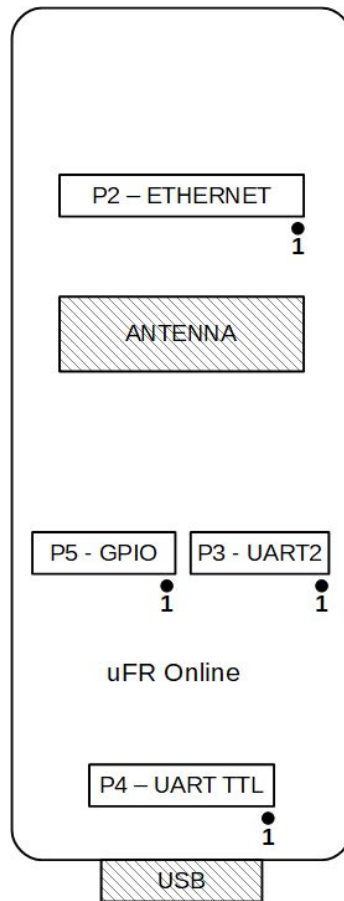


uFR Online pins and connectors description Version 1.1

Table of contents

Connectors location and ESP32 pinout	3
Available pins	4
User programmable pins	5
Input/Output pins additional features	6
Non-programmable pins	7
Revision history	8

Connectors location



Available pins

In the table below is a list of available pins on uFR Online.

User available uFR Online pins		
WROOM-32	WROVER-E	Description
GPIO36	GPIO36	External input pin 1
GPIO39	GPIO39	External input pin 2
GPIO34	GPIO34	Connected to uFR reader TX
GPIO35	GPIO35	Connected to external UART TX
GPIO32	GPIO32	Connected to uFR reader reset
GPIO33	GPIO5	External input/output pin 3
GPIO13	GPIO13	Connected to internal RGB LED
GPIO2	X	External output pin 6
GPIO16	GPIO33	Connected to uFR reader RX
GPIO5	GPIO18	External input/output pin 4
GPIO18	X	External input/output pin 5
GPIO3	GPIO3	Connected to Serial to USB FTDI RX
GPIO1	GPIO1	Connected to Serial to USB FTDI TX
GPIO23	GPIO23	Connected to external UART RX
*WROOM-32 has 6 and WROVER-E has 4 external pins.		

User programmable pins

In the table below is a list of user programmable pins on OEM unlocked uFR Online.

January 2021 update: We upgraded the ESP32 SoC on Nano Online from ESP32-WROOM-32 to ESP32-WROVER-E

UART 1 - Internally connected to uFR Reader		
WROOM-32	WROVER-E	Description
GPIO34	GPIO34	Connected to uFR Reader TX
GPIO32	GPIO32	Connected to uFR Reader reset
GPIO16	GPIO33	Connected to uFR reader RX

UART 2 - connected external P3 connector			
P3 Pin number	WROOM-32	WROVER-E	Description
1	X	X	Connected to 3.3V power supply
2	GPIO35	GPIO35	Connected to external UART TX
3	GPIO23	GPIO23	Connected to external UART RX
4	GPIO32	GPIO32	Connected to uFR Reader reset
5	X	X	Connected to GND

Input/Output pins - connected external P5 connector			
P5 Pin number	WROOM-32	WROVER-E	Description
1	GPIO36	GPIO36	External input pin 1
2	GPIO39	GPIO39	External input pin 2
3	GPIO33	GPIO5	External input/output pin 3
4	GPIO5	GPIO18	External input/output pin 4
5	GPIO18	X	External input/output pin 5
6	GPIO2	X	External output pin 6
*WROOM-32 has 6 and WROVER-E has 4 external pins.			

Input/Output pins additional features

In the table below is a list of additional features available for Input/Output pins on OEM unlocked uFR Online.

January 2021 update: We upgraded the ESP32 SoC on Nano Online from ESP32-WROOM-32 to ESP32-WROVER-E

Input/Output pins - additional features		
P5 Pin number	List of features - WROOM-32	List of features - WROVER-E
1	Deep sleep wake-up, ADC	Deep sleep wake-up, ADC
2	Deep sleep wake-up, ADC	Deep sleep wake-up, ADC
3	Deep sleep wake-up, ADC, Touch sensor, PWM, I2C	PWM, I2C
4	PWM, I2C	PWM, I2C
5	PWM, I2C	X
6	Deep sleep wake-up, ADC, Touch sensor, PWM, I2C	X
*WROOM-32 has 6 and WROVER-E has 4 external pins.		

Non-programmable pins

In the table below is a list of pins that are internally connected and not user programmable pins on OEM unlocked uFR Online.

External P4 connector. Only available on UART TTL version without USB connector	
P4 Pin number	Description
1	External 5V power supply
2	UART TX Pin
3	UART RX Pin
4	UART RTS Pin
5	GND
6	UART DTR Pin

External P2 connector. Only available on Ethernet version with dedicated LAN adapter.

Revision history

Date	Version	Comment
2019-07-15	1.0	Base document
2021-03-12	1.1	WROVER-E version pins description added