

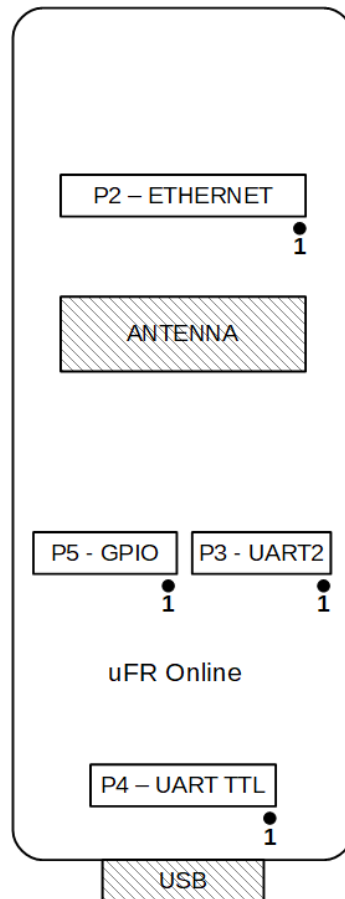


## uFR Online pins and connectors description Version 1.7

## Table of contents

<b>Connectors location</b>	<b>3</b>
<b>Available pins</b>	<b>4</b>
<b>User programmable pins</b>	<b>5</b>
<b>Input/Output pins additional features</b>	<b>6</b>
<b>Non-programmable pins</b>	<b>7</b>
<b>Unlocked device GPIOs description</b>	<b>8</b>
<b>Revision history</b>	<b>9</b>

## Connectors location



## Available pins

In the table below is a list of available pins on uFR Online.

User available uFR Online pins		
WROOM-32	WROVER-E	Description
GPIO36	GPIO36	External input pin 1
GPIO39	GPIO39	External input pin 2
GPIO34	GPIO34	Connected to uFR reader TX
GPIO35	GPIO35	Connected to external UART TX
GPIO32	GPIO32	Connected to uFR reader reset
GPIO33	GPIO5	External input/output pin 3
GPIO13	GPIO13	Connected to internal RGB LED
GPIO2	X	External output pin 6
GPIO16	GPIO33	Connected to uFR reader RX
GPIO5	GPIO18	External input/output pin 4
GPIO18	X	External input/output pin 5
GPIO3	GPIO3	Connected to Serial to USB FTDI RX
GPIO1	GPIO1	Connected to Serial to USB FTDI TX
GPIO23	GPIO23	Connected to external UART RX
<b>*WROOM-32 has 6 and WROVER-E has 4 external pins.</b>		

## User programmable pins

In the table below is a list of user programmable pins on OEM unlocked uFR Online.

**January 2021 update: We upgraded the ESP32 SoC on Nano Online from ESP32-WROOM-32 to ESP32-WROVER-E**

UART 1 - Internally connected to uFR Reader		
WROOM-32	WROVER-E	Description
GPIO34	GPIO34	Connected to uFR Reader TX
GPIO32	GPIO32	Connected to uFR Reader reset
GPIO16	GPIO33	Connected to uFR reader RX

UART 2 - connected external P3 connector			
P3 Pin number	WROOM-32	WROVER-E	Description
1	X	X	Connected to 5V power supply
2	GPIO35	GPIO35	Connected to external UART TX
3	GPIO23	GPIO23	Connected to external UART RX
4	GPIO32	GPIO32	Connected to uFR Reader reset
5	X	X	Connected to GND

Input/Output pins - connected external P5 connector			
P5 Pin number	WROOM-32	WROVER-E	Description
1	GPIO36	GPIO36	External input pin 1
2	GPIO39	GPIO39	External input pin 2
3	GPIO33	GPIO5	External input/output pin 3
4	GPIO5	GPIO18	External input/output pin 4
5	GPIO18	X	External input/output pin 5. From firmware version 2.7.6, RGB LEDs can be connected
6	GPIO2	X	External output pin 6

**\*WROOM-32 has 6 and WROVER-E has 4 external pins.**

## Input/Output pins additional features

In the table below is a list of additional features available for Input/Output pins on OEM unlocked uFR Online.

**January 2021 update: We upgraded the ESP32 SoC on Nano Online from ESP32-WROOM-32 to ESP32-WROVER-E**

Input/Output pins - additional features		
P5 Pin number	List of features - WROOM-32	List of features - WROVER-E
1	Deep sleep wake-up, ADC	Deep sleep wake-up, ADC
2	Deep sleep wake-up, ADC	Deep sleep wake-up, ADC
3	Deep sleep wake-up, ADC, Touch sensor, PWM, I2C	PWM, I2C
4	PWM, I2C	PWM, I2C
5	PWM, I2C	X
6	Deep sleep wake-up, ADC, Touch sensor, PWM, I2C	X
<b>*WROOM-32 has 6 and WROVER-E has 4 external pins.</b>		

## Non-programmable pins

In the table below is a list of pins that are internally connected and not user programmable pins on OEM unlocked uFR Online.

<b>External P4 connector. Only available on UART TTL version without USB connector</b>	
<b>P4 Pin number</b>	<b>Description</b>
1	External 5V power supply
2	UART TX Pin
3	UART RX Pin
4	UART RESET Pin
5	GND
6	UART DTR Pin

<b>External P2 connector. Only available on Ethernet version with dedicated LAN adapter.</b>	
<b>P2 Pin Number</b>	<b>Description</b>
1	Ethernet TX/ RX Positive Channel 1
2	Connected to 3.3V power supply
3	Ethernet TX/ RX Negative Channel 1
4	Ethernet TX/ RX Positive Channel 2
5	Ethernet TX/ RX Negative Channel 2
6	LED1. Active when a valid link is detected and blinks when activity is detected
7	LED2. Active when the speed is 100Mbps. Inactive when the speed is 10Mbps
8	External 5V power supply
9	External 5V power supply
10	Connected to GND

## Unlocked device GPIOs description

In the table below is a list of internal connected GPIOs on OEM unlocked uFR Online.

**January 2021 update: We upgraded the ESP32 SoC on Nano Online from ESP32-WROOM-32 to ESP32-WROVER-E**

Unlocked device internal pins		
Connected to	WROOM-32 GPIO	WROVER-E GPIO
RGB LED	GPIO13	GPIO13
UART1 TX/RX (internal spring connector)	GPIO34/GPIO16	GPIO34/GPIO33
UART2 TX/RX (P3 connector)	GPIO35/GPIO23	GPIO35/GPIO23
External IO (P5 connector)	GPIOs 36, 39, 33, 5, 18, 2	GPIOs 36, 39, 5, 18
I2C bus SDA/SCL	GPIO12/GPIO14	GPIO12/GPIO14
*Ethernet MDC/MDIO/Oscillator enable	**GPIO15/GPIO4/x	***GPIO15/GPIO4/GPIO2
<p>*uFR Online uses LAN8720 PHY IC            **WROOM-32 uses GPIO17 to generate clock for LAN8720            ***WROVER-32 uses external 50MHz oscillator and GPIO0 for clock input</p>		



## Revision history

Date	Version	Comment
2019-07-15	1.0	Base document
2021-03-12	1.1	WROVER-E version pins description added
2021-05-06	1.2	Ethernet connector pinout added
2021-08-25	1.3	Unlocked device internal GPIOs description
2022-04-05	1.4	UART2 power supply changed to 5V
2022-04-08	1.6	UART RTS renamed to UART Reset
2022-05-06	1.7	GPIO18 RGB LED support added